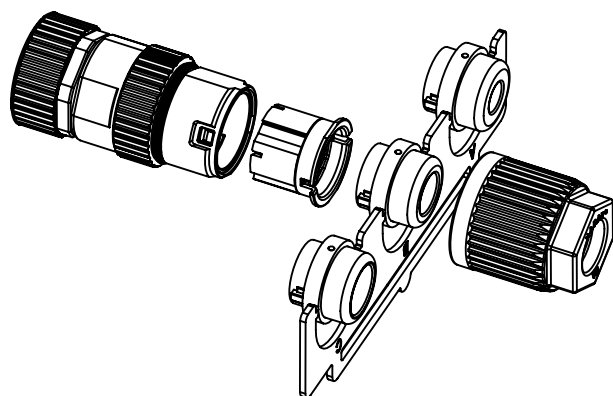
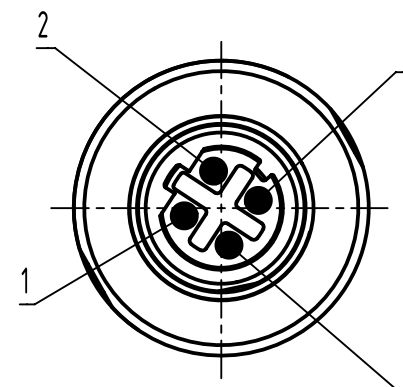



contact face based on
IEC 61076-2-101
A (2:1)



cable outside diameter	conductor cross section
4,5mm - 8,8mm	AWG22 - AWG18 0,34mm ² - 0,75mm ²

	All Dimensions in mm Original Size DIN A4		Scale 1:1	Free size tol.		Ref.
	All rights reserved Department EL PD		Created by HASSE	Inspected by 104.122	Standardisation	Sub.
HARTING D-32339 Espelkamp		Title M12-L-CC-IDC-4P-DCOD-F-STR-SHLD			Date 2021-12-15	State Final Release
		Type TB	Number 21032822405		Doc-Key / ECM-Nr. 100197035/UGD/003/K 500000207119	Rev. K Page 1/1